

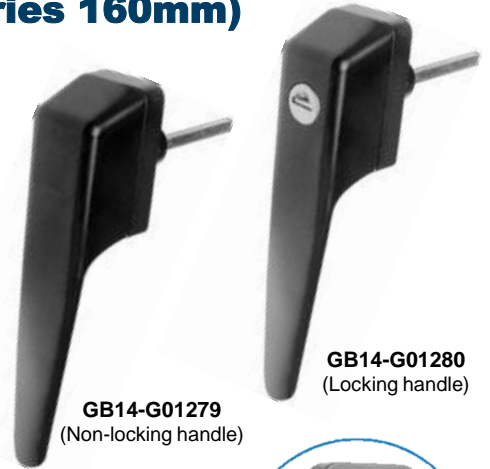
GB14 Heavy Duty T-Handle (Titan Series 160mm)

Features

- Created to provide a robust, modern design, the 'Titan' series is much stronger than normal handles. In particular, metal section at the base of the handle casting is more than twice usual thickness, preventing fracture and resisting lateral loads.
- Large size, wide section for good grip, convenience of external mounting but with screws fully concealed when locked, doubled-sided keys as standard
- 180° rotation as standard, rotation can be limited to 90°, LH/RH, or to the special '180° horizontal' option. Handles lock at each 90° position.

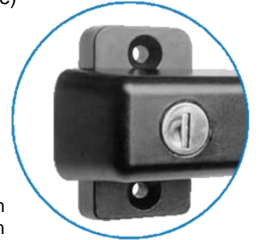
Notes

- Fix through countersunk holes at 44 mm centres, which are completely hidden when handle is locked. Neoprene gasket supplied.
- 'FT' double-sided keys as standard with 'shuttered' keyway. Alternatively 'FS', or 'DLP' key types also available
- Contact Gripwell sales for cam pawl and centre-case options

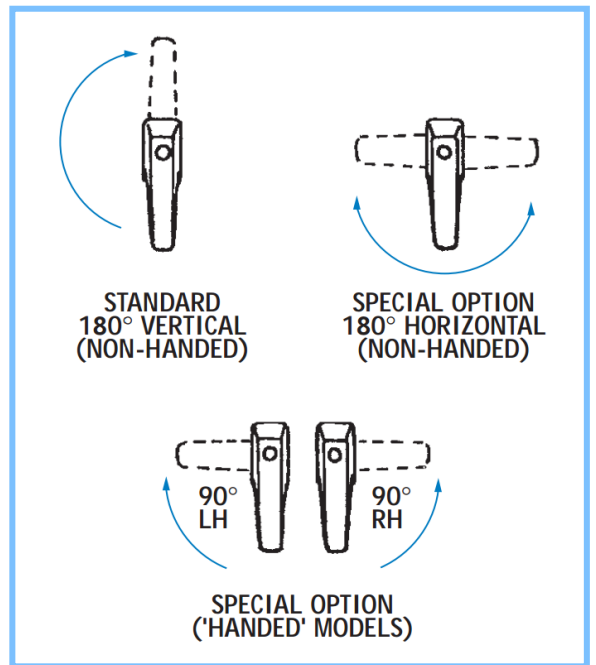
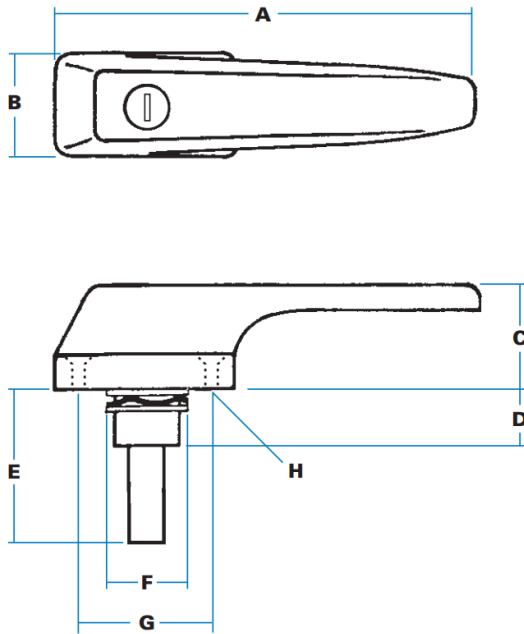


GB14-G01279
(Non-locking handle)

GB14-G01280
(Locking handle)



Mounting holes at 44 mm centres are totally hidden when handle is locked



Handles operate through 180° as standard (non-handed). Rotation can be limited to 90° LH (clockwise) or 90° RH (anticlockwise), or to special order, to 180° horizontal movement as shown. Handles will lock in each 90° position.

Part No.	Key	A	B	C	D	E	F	G	H
GB14-01280	Standard	160	37	41	18	130	28	44	5 mm, c/s 10 mm
GB14-01280-01	FT111								
GB14-01279	Non-Locking								

Die Cast Cams & Heavy Duty Cam Pawls

Features

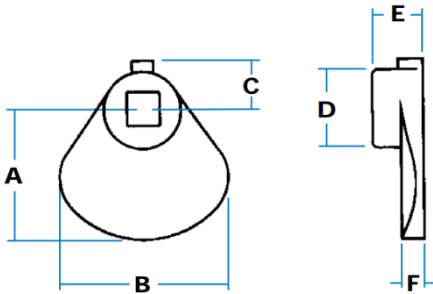
- Our die cast cams provide the simplest way of securing an enclosure door. They fit onto a plain, 8 mm-square shaft, and are clamped into position with the integral socket screw. A version is available with hole threaded M8, to suit corresponding round shaft.
- The range of heavy steel cams (below) is normally fitted to our 'drop-T' series, but they can be used with any 8 mm square shaft, normally threaded M10 with securing nuts to allow for adjustment and retention. Finish is bright zinc-plated.
- All cams are fitted with hexagon-head grub screw, adjusted by 3/32" Allen key (threaded 10/32 UNF x 3/8")



G27296
(Small cam)



G00837
(Large cam)



Part No.	Description	A	A1	B	C	D	E	F
G27296	Small cam, 8 mm square hole							
G27297	Small cam, M8 threaded hole	32	63	40	11	19	13	4
G00837	Large cam, 8 mm square hole							

Heavy-duty cam pawls, made in rolled-edge mild steel, 30 mm width x 5 mm deep, with 3 mm 'V' raise for cam-action



G02071
(‘Cranked up’)



G02069
(‘Straight’)



G02067
(‘Cranked down’)



G02059
(‘Hooked’)

